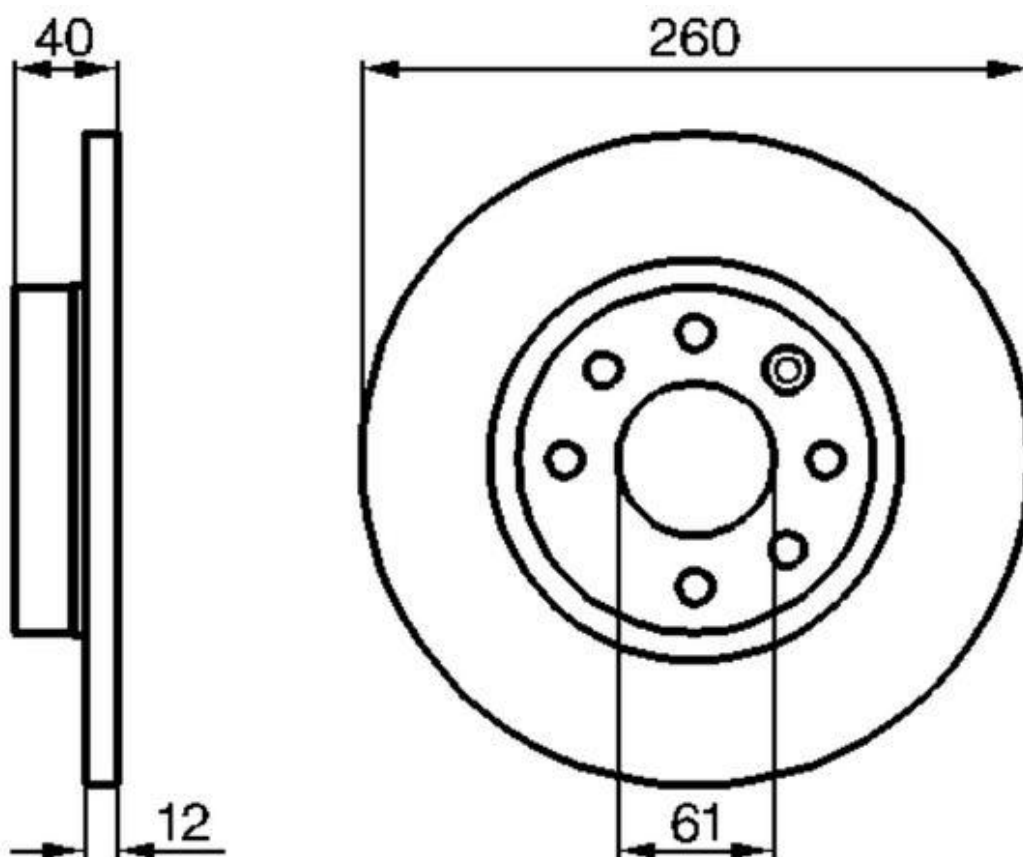
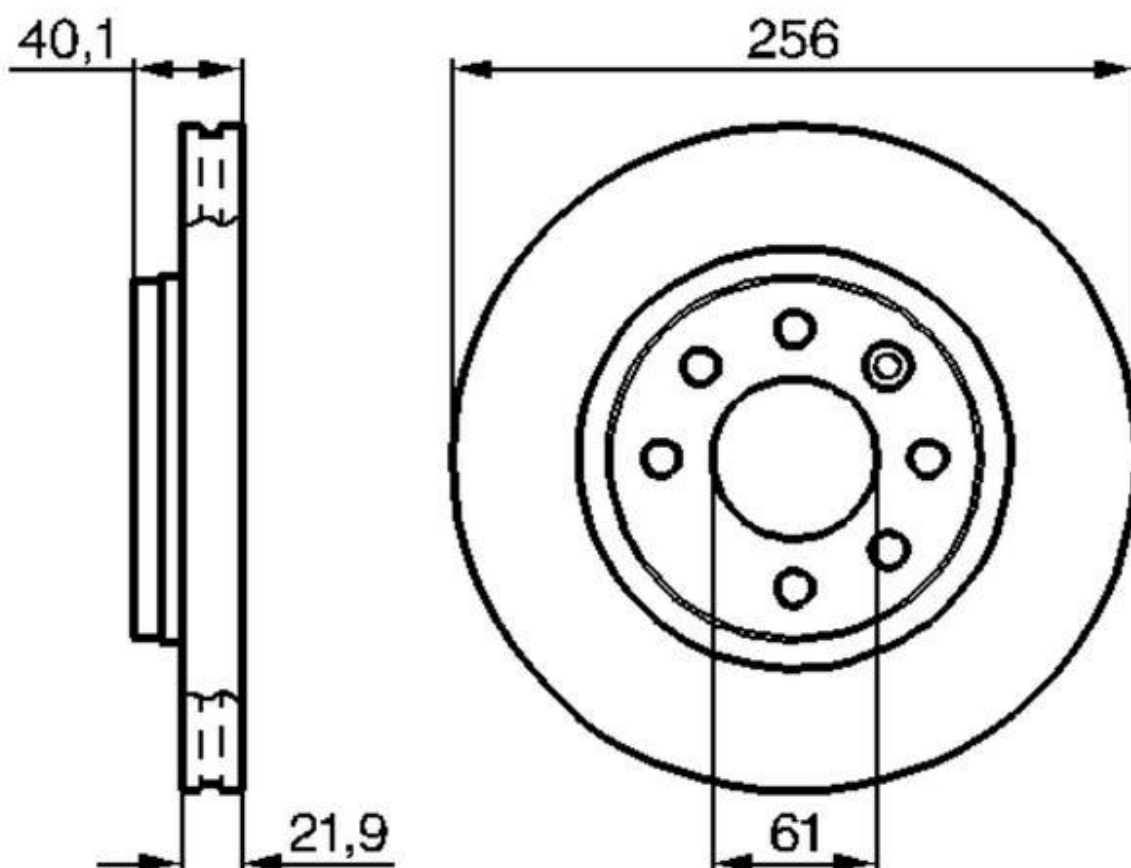


TÁRCSA ÉS BETÉTMÉRETEK VOLVO 440-460-480 TÍPUSOKHOZ:

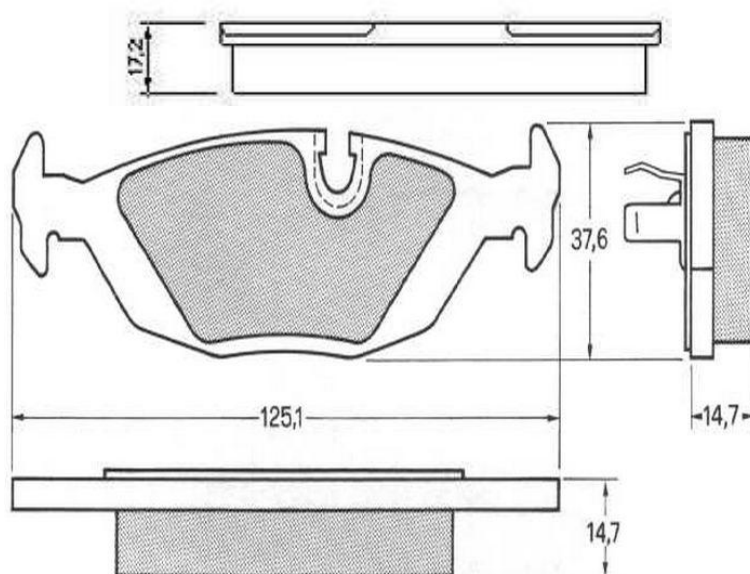
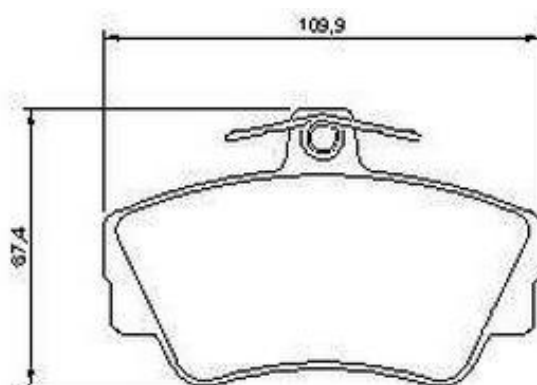
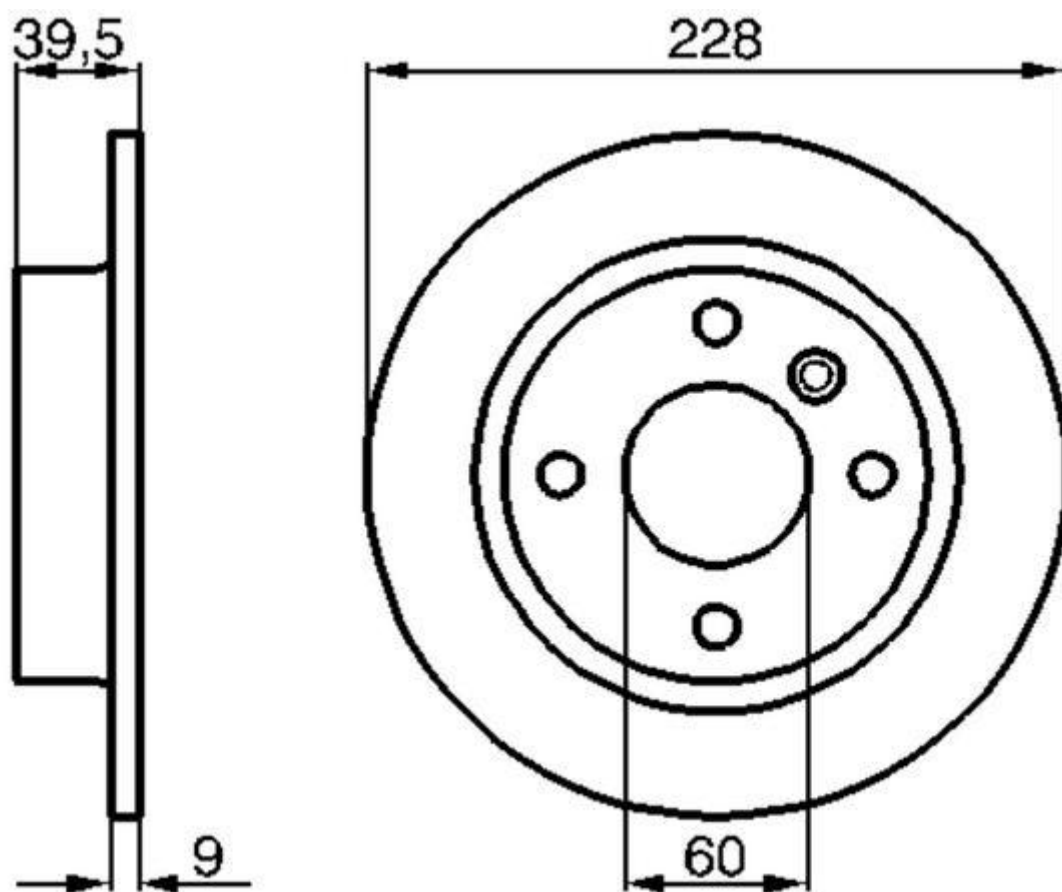
1. SIMA ELSŐ TÁRCSA:



2. HÜTÖTT ELSŐ TÁRCSA:



3. HÁTSÓ TÁRCSA:



Brake disc

1001291

Brake disc Rear axle non vented

47,09

Volvo 400



Axle: Rear axle

Brake disc type: non vented

Supplementary info: with Hub

Braking/Drive dynamics: for vehicles with ABS

Quantity per car: 2

Volvo 440, 460, 480: all models

Accessories

1000775: Brake pad set Rear axle

1001294

Brake disc Rear axle non vented

33,15

3430032

Volvo 400



Manufacturer: Zimmermann

Axle: Rear axle

Brake disc type: non vented

Supplementary info: with Hub

Braking/Drive dynamics: for vehicles without ABS

Quantity per car: 2

Volvo 440, 460, 480: all models

Accessories

1000775: Brake pad set Rear axle

1014783

Brake drum Rear axle

53,59

3450387

Volvo 400



Axle: Rear axle

Supplementary info: without Hub

Quantity per car: 2

Volvo 440, 460: all models

1002690

3450386

**Brake disc Rear axle non vented**

Volvo 400

Axle: Rear axle
 Brake disc type: non vented
 Supplementary info: without Hub
 Quantity per car: 2
 Volvo 440, 460, 480: all models

Accessories

1000775: Brake pad set Rear axle

29,16**1017724**

3450386

Brake disc Rear axle non vented perforated

Volvo 400

Manufacturer: Zimmermann
 Axle: Rear axle
 Brake disc type: non vented
 Brake disc type: perforated
 Registration type: with General certification (ABE)
 Supplementary info: without Hub
 Quantity per car: 2
 Volvo 440, 460, 480: all models

Accessories

1000775: Brake pad set Rear axle

53,29**1002688**

3455719

**Brake disc Front axle vented**

Volvo 400

Axle: Front axle
 Brake disc type: vented
 Quantity per car: 2
 Volvo 440, 460, 480: all models

Accessories

1007115: Brake pad set Front axle

38,68**1001293**

3459661

**Brake disc Front axle non vented**

Volvo 400

Manufacturer: Zimmermann
 Axle: Front axle
 Brake disc type: non vented
 Quantity per car: 2
 Volvo 440, 460, 480: all models

Accessories

1000766: Brake pad set Front axle
 1000767: Brake pad set Front axle

27,29

1002689

3344703



Brake pad set Front axle

Volvo 400

Manufacturer: Volvo
Axle: Front axle
Brake disc type: internally vented
Volvo 440, 460, 480: all models

Accessories

1013275: Accessory kit, Brake pads Front axle vented

57,75

1007115

3344703



Brake pad set Front axle

Volvo 400

Axle: Front axle
Brake disc type: internally vented
Volvo 440, 460, 480: all models

Accessories

1013275: Accessory kit, Brake pads Front axle vented

35,69

1000766

3344787



Brake pad set Front axle

Volvo 400

Axle: Front axle
Brake disc type: non vented
Volvo 440, 460: yearsmodel from 1989, chassis no. from 6387
Volvo 480: yearsmodel from 1989, chassis no. from 538520

Accessories

1000777: Accessory kit, Brake pads Front axle non vented

32,78

1003685

3344787



Brake pad set Front axle

Volvo 400

Manufacturer: Volvo
Axle: Front axle
Brake disc type: non vented
Volvo 440, 460: yearsmodel from 1989, chassis no. from 6387
Volvo 480: yearsmodel from 1989, chassis no. from 538520

Accessories

1000777: Accessory kit, Brake pads Front axle non vented

57,75

1000775
3342534

Brake pad set Rear axle

26,78

Volvo 400

Axle: Rear axle
Volvo 440, 460, 480: all models



1003900
3342534

Brake pad set Rear axle

51,16

Volvo 400

Manufacturer: Volvo
Axle: Rear axle
Volvo 440, 460, 480: all models



1000767
3343433

Brake pad set Front axle

26,72

Volvo 400

Axle: Front axle
Brake disc type: non vented
Volvo 440, 460: yearsmodel to 1989, chassis no. to 6386
Volvo 480: yearsmodel to 1989, chassis no. to 538519



Accessories

1000777: Accessory kit, Brake pads Front axle non vented

	Rear axle	025 210 8914	3342 534	440 K (445) <u>08.1988 - 12.1996</u>
	ATE	Brake pad set Bremsbelagsatz	21089	
	Thickness 14,7 mm	Pastillas de freno Jeu plaq. frein	21090	460 L (464) <u>09.1988 - 07.1996</u>
	Brake sensor appl.	Комплект дисковых тормозных колодок		480 E <u>04.1986 - 07.1996</u>
	Front axle	025 212 1717	3344 061 3344 787	440 K (445) <u>08.1988 - 12.1996</u>
	Lucas Girling	Brake pad set Bremsbelagsatz	21217	1.6, 1.7, 1.8, 1.9 Turbo-Diesel
	Width 110,0 mm	Pastillas de freno Jeu plaq. frein		460 L (464) <u>09.1988 - 07.1996</u>
	Height 67,5 mm	Комплект дисковых тормозных колодок		except: 1.7 Turbo
	Thickness 17,2 mm			480 E <u>04.1986 - 07.1996</u>
	W/o brake sensor			1.7